

Three-phase On-grid String Inverter

SPI30K~40K-B X2 Series



Product Features

High Yield

- Multi-MPPT design meets the requirement of multi-orientation installation, patented MPPT algorithm increases power generation
- Maximum current up to 15A of a single string is suitable for high efficiency PV module
- Integrated PID function can effectively repair component attenuation and increase power generation

Reliability

- IP66 protection, wide operating temperature , high environment adaptability
- AFCI function, eliminates fire hazards
- Key components are strictly selected to ensure reliable operation of the product over its whole lifecycle

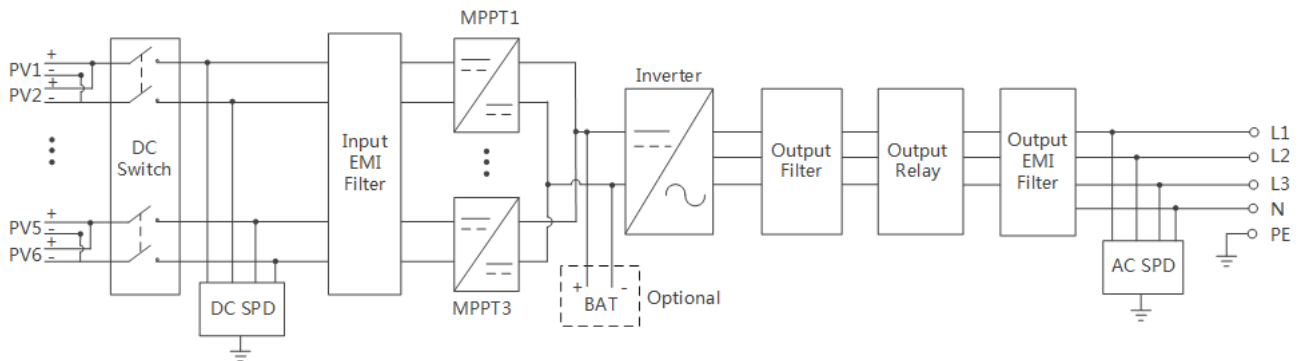
Flexible ESS

- Equipped with ESS function interface, realized the interconnection of PV and ESS
- Flexible multi-term investment of PV and ESS project optimizes ROI of users.

Easy O&M

- Intelligent IV curve scanning achieves efficient O&M
- Intelligent WiseSolar APP+ cloud platform provides all-round visual O&M
- Remote intelligent upgrade service can reduce O&M cost

Function Diagram



Technical Specification

Items	SPI30K-B X2	SPI33K-B X2	SPI36K-B X2	SPI40K-B X2
DC Input				
Max. PV input voltage	1100Vdc			
Rated input voltage	600Vdc			
Max. PV input current	30A/30A/30A			
No. of MPPTs	3			
No.of PV strings per MPPT	2/2/2			
MPPT voltage range	180~1000Vdc			
Starting voltage	150Vdc			
DC switch	Yes			
AC Output (On-grid)				
Rated AC output power	30kW	33kW	36kW	40kW
Max. output power	33kVA	36.3kVA	39.6kVA	40kVA
Rated AC output voltage	380/400/415Vac			
Rated output current	43.2A	47.6A	52.0A	57.7A
Max. output current	47.6A	52.4A	57.2A	57.7A
Rated grid frequency	50Hz/60Hz			
Grid frequency range	45~55Hz/55~65Hz			
Power factor	>0.99 (rated power)			
Adjustable power factor	0.8 (leading)~0.8 (lagging)			
THDi	<3% (rated power)			
Efficiency				
Max. efficiency	98.60%			
European efficiency	98.10%			
MPPT efficiency	99.90%			
Function and protection				
Anti-islanding	Yes			
DC (PV) reversed connection	Yes			
AC short circuit protection	Yes			
Temperature protection	Yes			
Surge protection	DC Type II & AC Type III			
AFCI function	Yes (optional)			
Integrated PID function	Yes (optional)			
IV curve scan and diagnosis	Yes (optional)			
Zero-export function	Yes (optional)			
ESS function	Yes (optional)			
General				
Dimensions (W×H×D)	550×480×200mm			
Weight	27kg			
IP grade	IP66			
Self-consumption at night	<1W			
Cooling type	Intelligent forced air cooling			
Altitude	4000m (>3000m derating)			
Operating temperature	-35°C~60°C			
Relative humidity	0~100%			
Display	LED+APP			
DC terminal	MC4 Terminal			
AC terminal	OT Terminal			
Installation method	Wall-mounted			
Communication	RS485, DRM (optional), WiFi (optional)/4G (optional), Bluetooth (optional)			
Certification	EN/IEC 62109-1/2, EN/IEC 61000-6-1/3, IEC 62116, IEC 61727,IEC 61683, EN 50549-1, NC RfG,VDE-AR-N 4105,CEI 0-21, CEI 0-16			

- Specifications are subject to change without prior notice.