

# Three-phase On-grid String Inverter

SPI8K~12K-B X2 Series



## Product Features

### High Yield

- Multi-MPPT design meets the requirement of multi-orientation installation, patented MPPT algorithm increases power generation
- Maximum current up to 15A of a single string is suitable for high efficiency PV module
- Integrated PID function can effectively repair component attenuation and increase power generation

### Reliability

- IP66 protection, wide operating temperature , high environment adaptability
- AFCI function, eliminates fire hazards
- Key components are strictly selected to ensure reliable operation of the product over its whole lifecycle

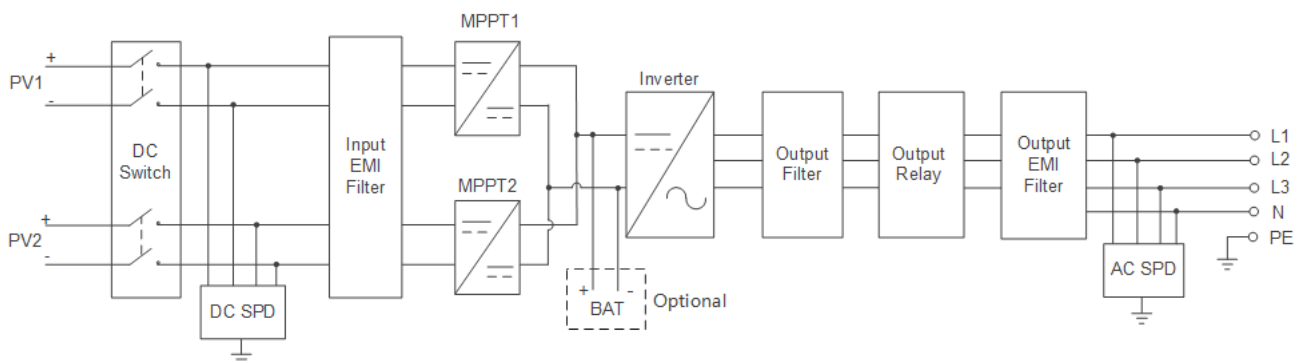
### Flexible ESS

- Equipped with ESS function interface, realized the interconnection of PV and ESS
- Flexible multi-term investment of PV and ESS project optimizes ROI of users.

### Easy O&M

- Intelligent IV curve scanning achieves efficient O&M
- Intelligent WiseSolar APP+ cloud platform provides all-round visual O&M
- Remote intelligent upgrade service can reduce O&M cost

## Function Diagram



PV+ESS for the Future

## Technical Specification

Items	SPI8K-B X2	SPI10K-B X2	SPI12K-B X2
<b>DC Input (PV)</b>			
Recommended max. PV input power	10.8kWp	13.5kWp	16.2kWp
Max. PV input voltage	1100Vdc		
Rated input voltage	600Vdc		
Max. PV input current	15A/15A		
No. of MPPTs	2		
No.of PV strings per MPPT	1/1		
MPPT voltage range	180-1000Vdc		
Starting voltage	150Vdc		
DC switch	Yes		
<b>AC Output (On-grid)</b>			
Rated AC output power	8.0kW	10.0kW	12.0kW
Max. output power	8.8kVA	11.0kVA	13.2kVA
Rated AC output voltage	380/400/415Vac		
Rated output current	11.6A	14.5A	17.4A
Max. output current	12.8A	15.9A	19.1A
Rated grid frequency	50Hz/60Hz		
Grid frequency range	45~55Hz/55~65Hz		
Power factor	>0.99 (rated power)		
Adjustable power factor	0.8 (leading)~0.8 (lagging)		
THDi	<3% (rated power)		
<b>Efficiency</b>			
Max. efficiency	98.60%		
European efficiency	98.10%		
MPPT efficiency	99.90%		
<b>Function and protection</b>			
Anti-islanding	Yes		
DC (PV) reversed connection	Yes		
AC short circuit protection	Yes		
Temperature protection	Yes		
Surge protection	DC Type II & AC Type III		
AFCI function	Yes (optional)		
Integrated PID function	Yes (optional)		
IV curve scan and diagnosis	Yes (optional)		
Zero-export function	Yes (optional)		
ESS function	Yes (optional)		
<b>Certification</b>			
Dimensions (W×H×D)	460×420×182mm		
Weight	16kg		
IP grade	IP66		
Self-consumption at night	<1W		
Cooling type	Natural cooling		
Altitude	4000m (>3000m derating)		
Operating temperature	-35°C~+60°C		
Relative humidity	0~100%		
Display	LED+APP		
DC terminal	MC4 Terminal		
AC terminal	OT Terminal		
Installation method	Wall-mounted		
Communication	RS485, DRM (optional), WiFi (optional)/4G (optional), Bluetooth (optional)		
Standard	EN/IEC 62109-1/2, EN/IEC 61000-6-1/3, IEC 62116, IEC 61727,IEC 61683, EN 50549-1, NC RfG,VDE-AR-N 4105,CEI 0-21		

- Specifications are subject to change without prior notice.